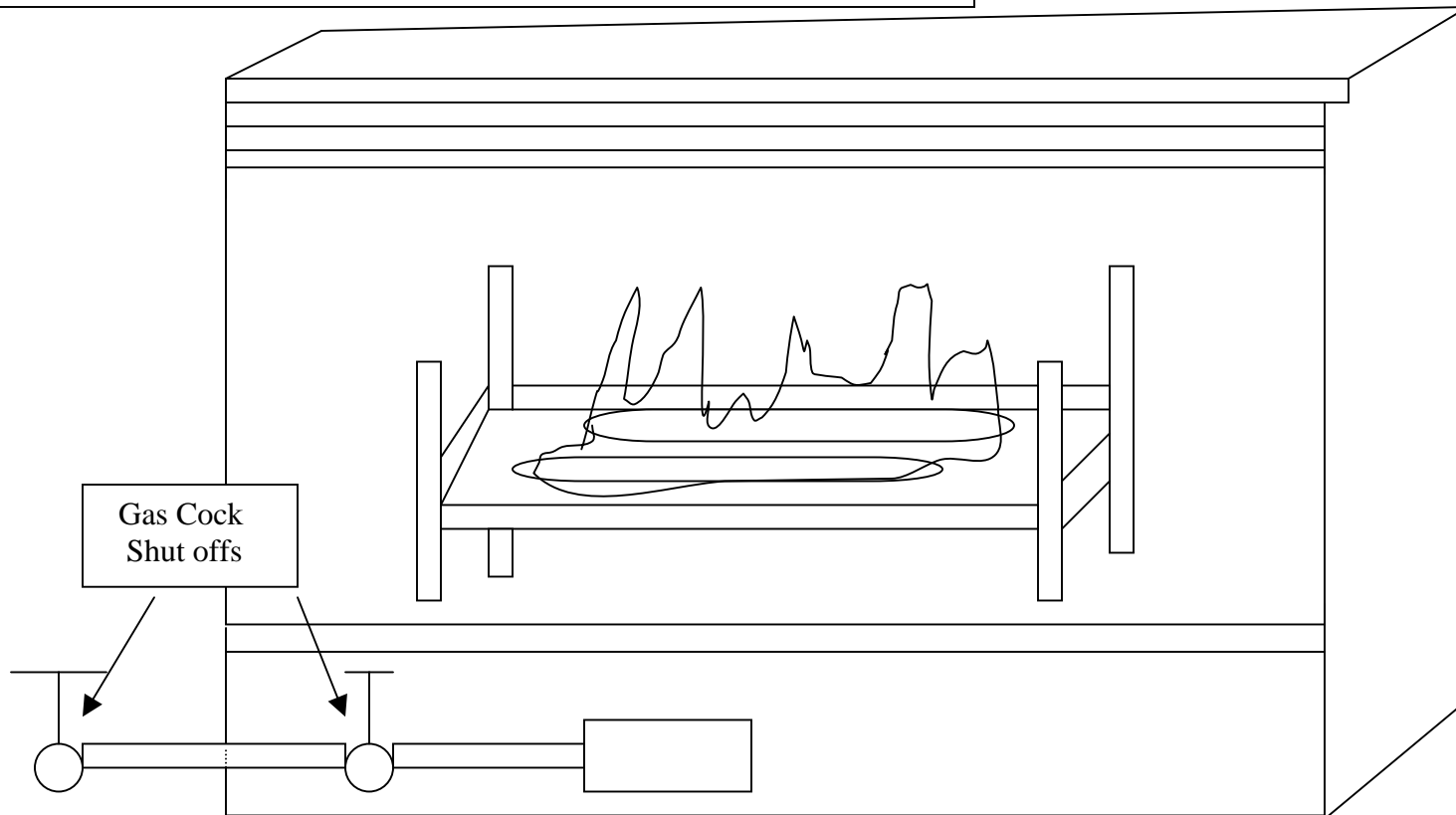


Gas shut off requirements on a Installation of Vented Decorative Fireplace

Manufacturers minimum clearance from combustion material must be followed. Installation manual must be on site at fireplace for rough in and final inspection.



\* An additional shut off shall be required outside the unit with in 4 feet. \*

Exception: An additional shut off shall not be required if the unit can be removed without disconnecting the gas.

DR 11-15-00